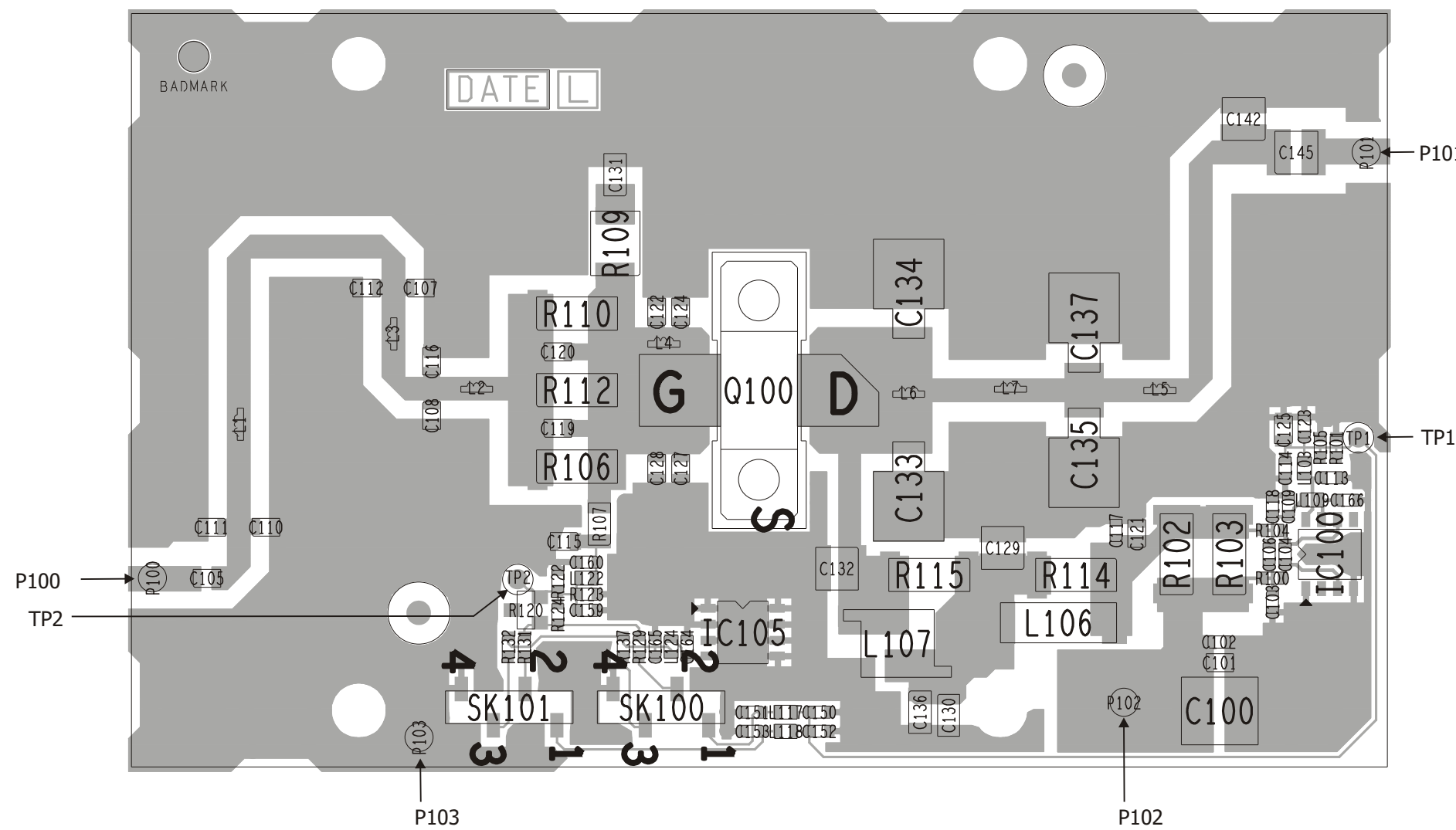
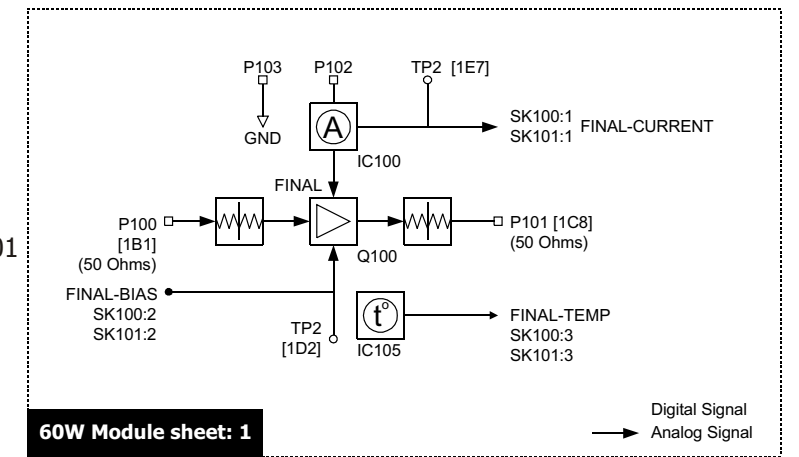
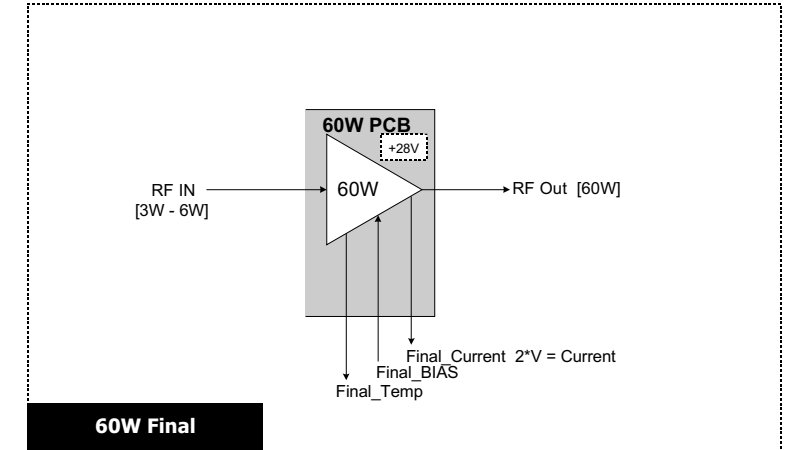


PA 60W Module PCB Test Points [220-02003-04]

Connector PIN outs

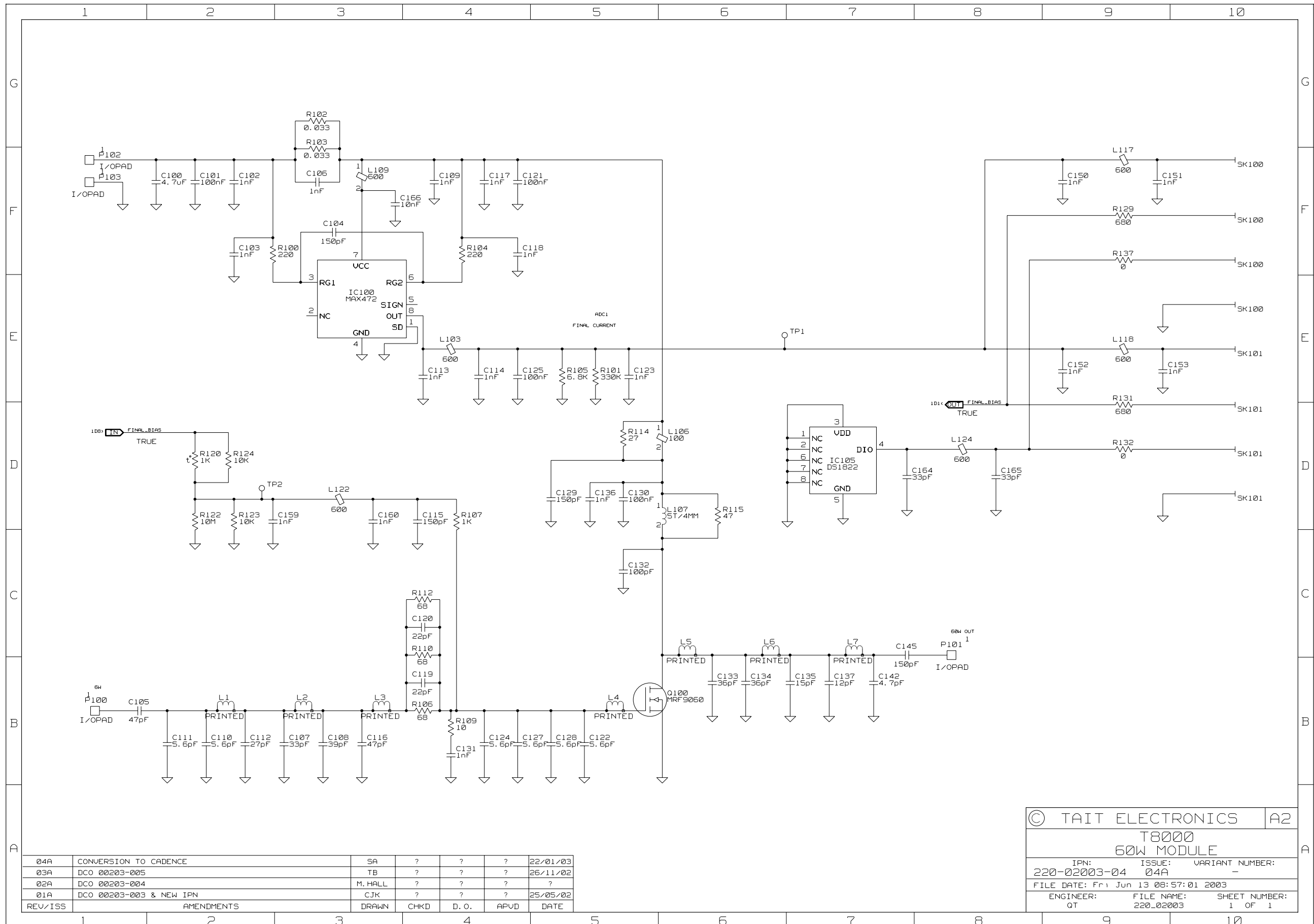
50W Control SK100	ISO 50W / 100W Control SK101	RF INPUT P100	RF OUTPUT P101
1: FINAL-CURRENT	1: FINAL-CURRENT		
2: FINAL-BIAS	2: FINAL-BIAS		
3: FINAL-TEMP	3: FINAL-TEMP		
4: GND	4: GND		



T8000 UHF PA 60W Module Schematic Test points

CCT Sheet 1  
TP1[1E6] FINAL-CURRENT  
TP2[1D2] FINAL-BIAS

CR-1 : @220\_02003.LIB\220\_02003(SCH1):PAGE1



04A	CONVERSION TO CADENCE	SA	?	?	?	22/01/03
03A	DCO 00203-005	TB	?	?	?	26/11/02
02A	DCO 00203-004	M. HALL	?	?	?	?
01A	DCO 00203-003 & NEW IPN	CJK	?	?	?	25/05/02
REV/ISS	AMENDMENTS	DRAWN	CHKD	D. O.	APVD	DATE

© TAIT ELECTRONICS		A2
T8000		
60W MODULE		
IPN: 220-02003-04	ISSUE: 04A	VARIANT NUMBER: -
FILE DATE: Fri Jun 13 08:57:01 2003		
ENGINEER: OT	FILE NAME: 220_02003	SHEET NUMBER: 1 OF 1